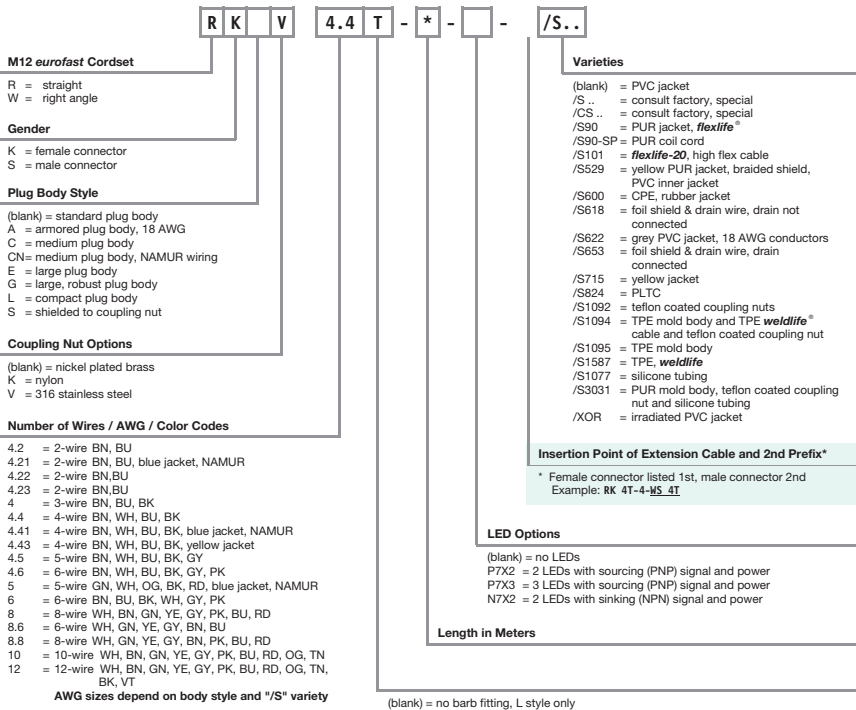
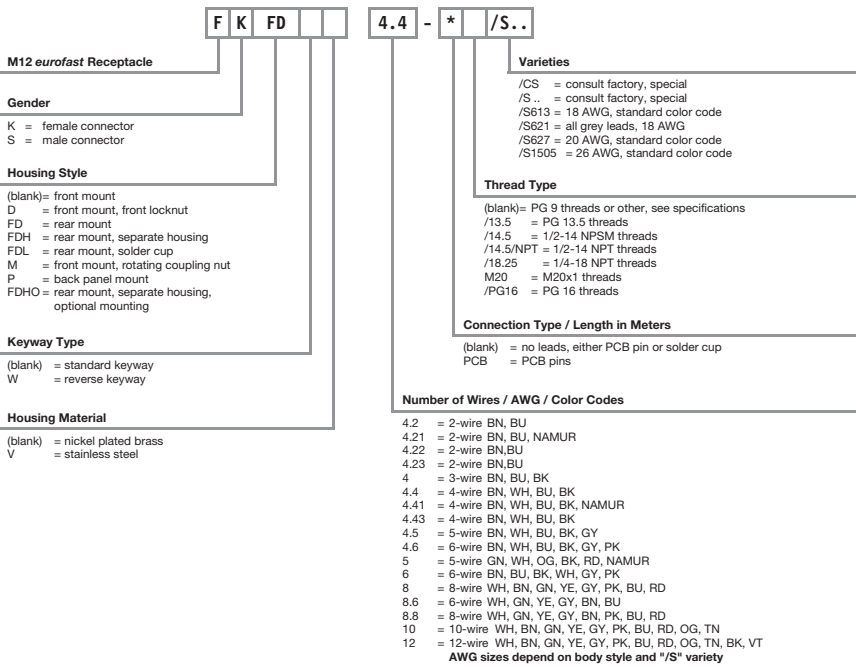


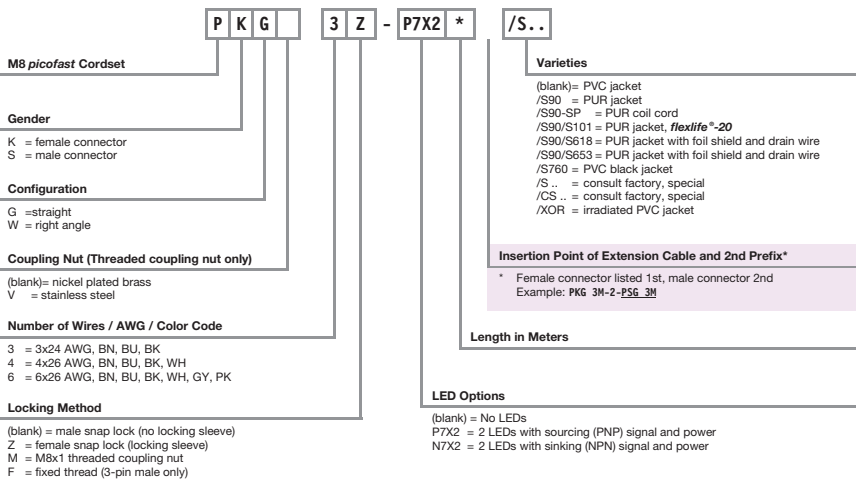
M12 eurofast® Cordset Part Number Key



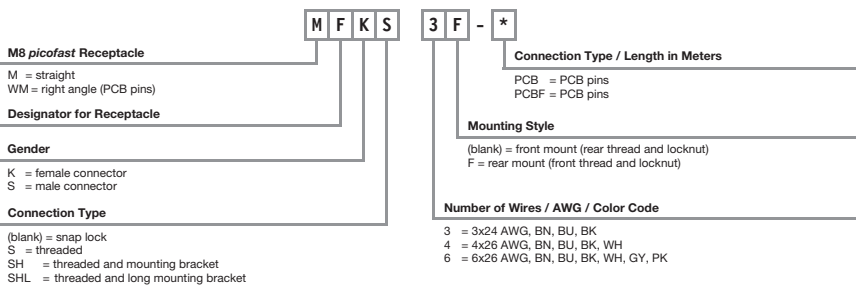
M12 eurofast® Receptacle Part Number Key



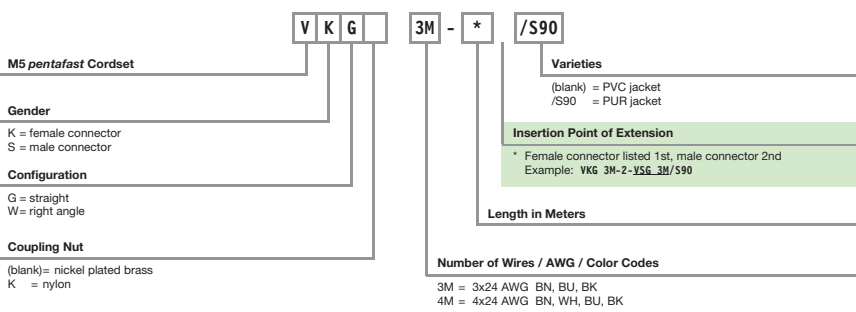
M8 picofast® Cordset Part Number Key



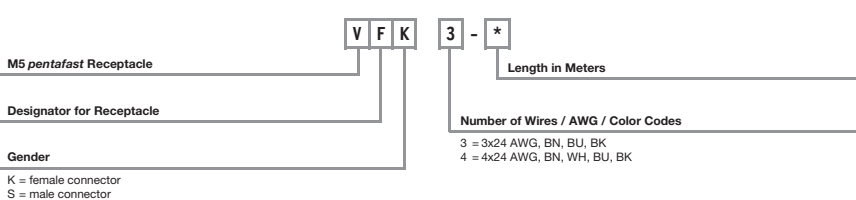
M8 picofast® Receptacle Part Number Key



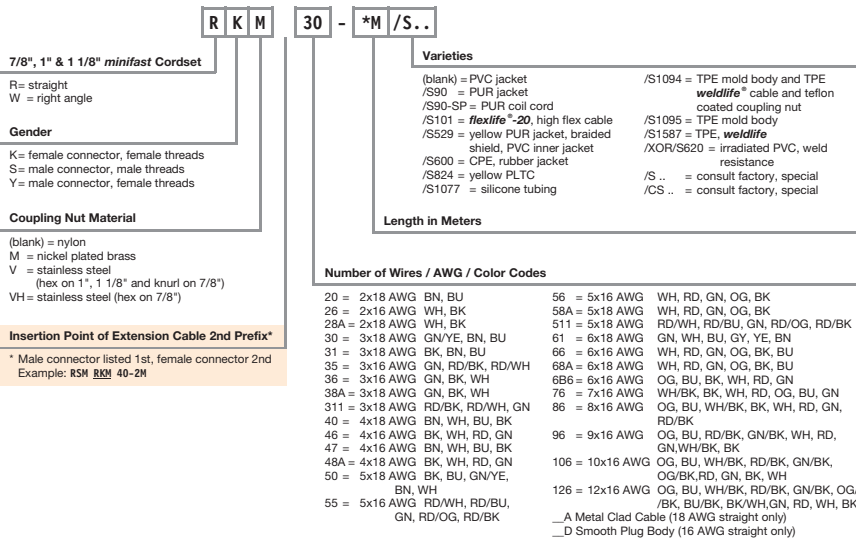
M5 pentafast® Cordset Part Number Key



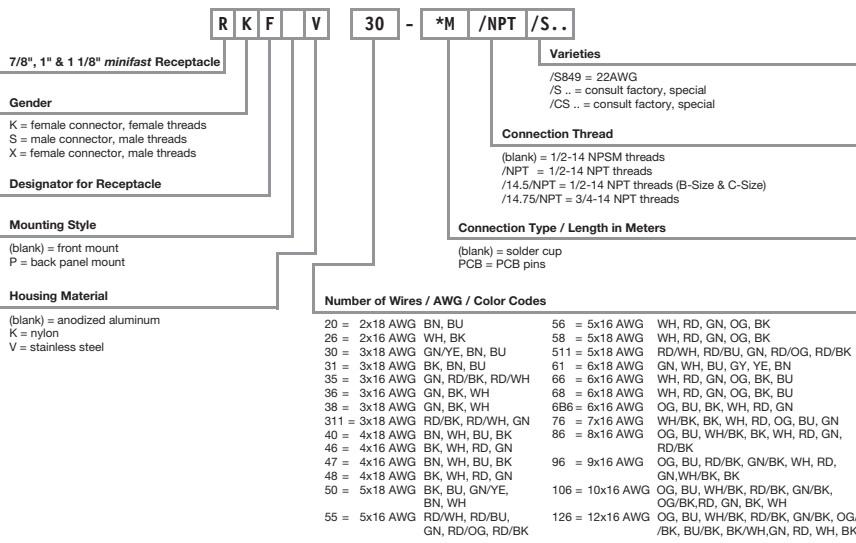
M5 pentafast® Receptacle Part Number Key



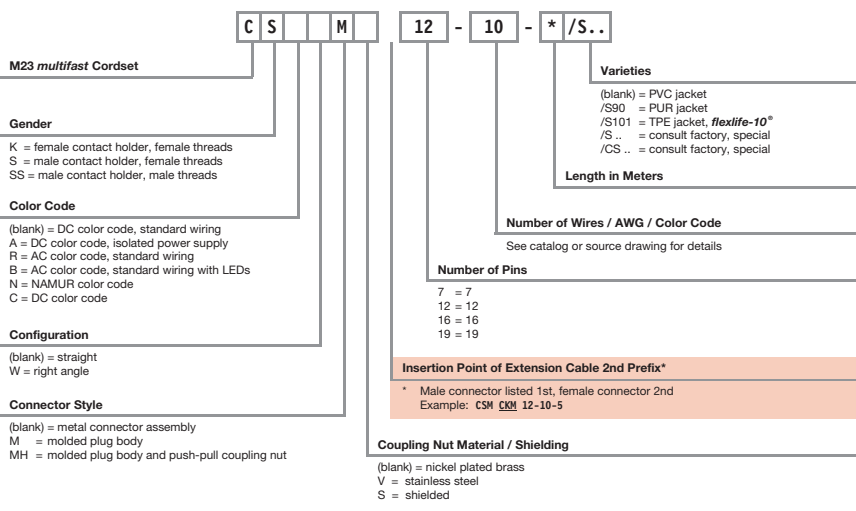
7/8", 1" & 1 1/8" minifast® Cordset Part Number Key



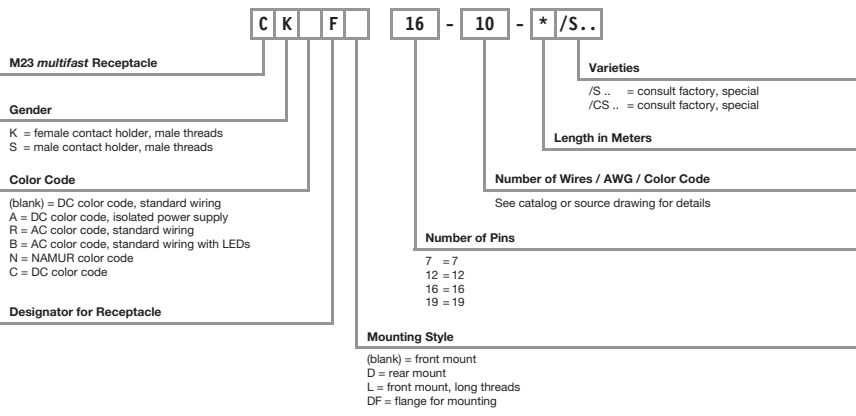
7/8", 1" & 1 1/8" minifast® Receptacle Part Number Key



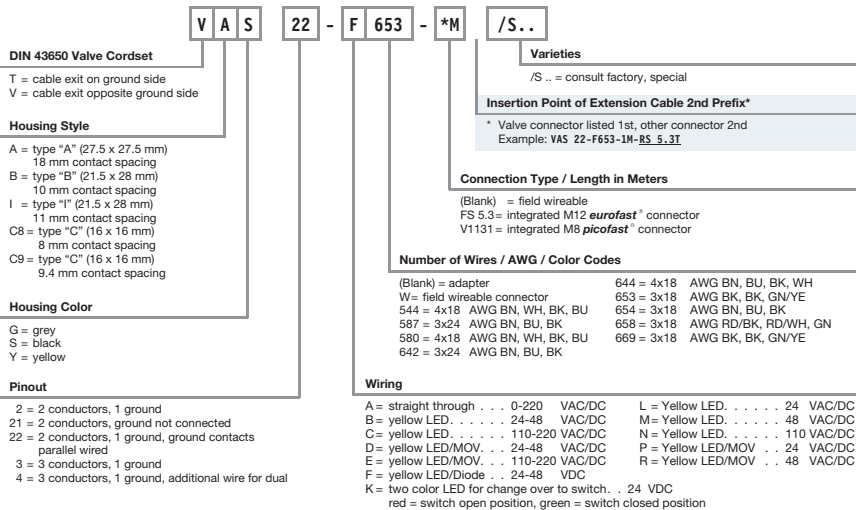
M23 multifast® Cordset Part Number Key



M23 multifast® Receptacle Part Number Key



DIN 43650 V*fast Cordset Part Number Key



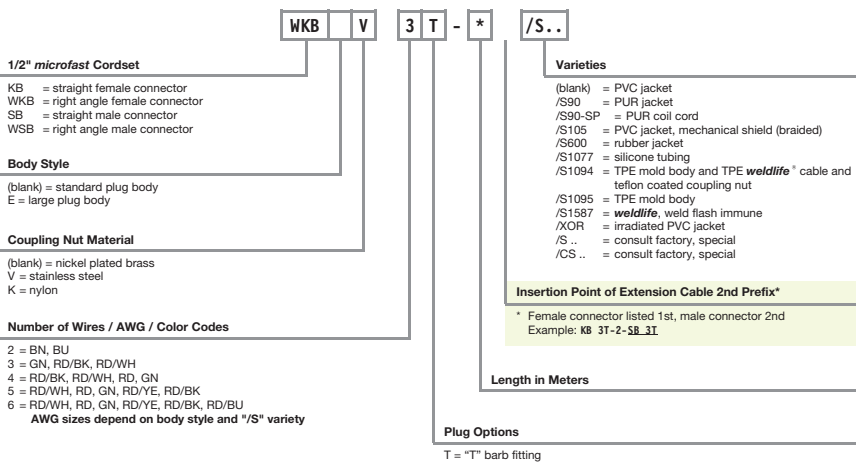
NOTE: Part Number Keys are to assist in IDENTIFICATION ONLY. Verify New Part Numbers with Factory; Some Configurations Are Not Possible. * Cable or Lead Lengths in Meters "WD-" = Washdown Cordset "P-" = Process Cordset or Receptacle



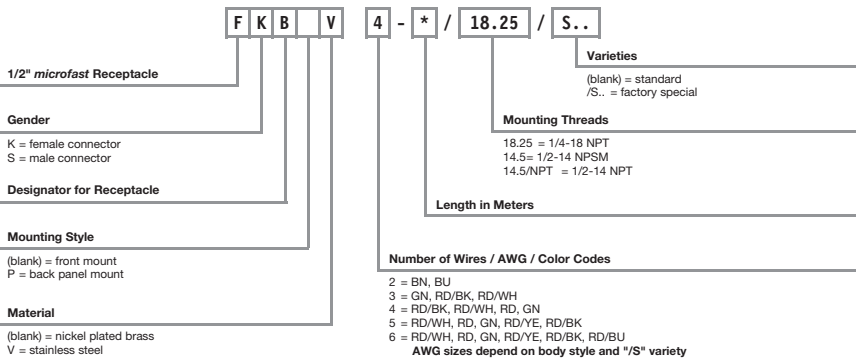
Industrial Automation

CONNECTIVITY PART NUMBER KEYS

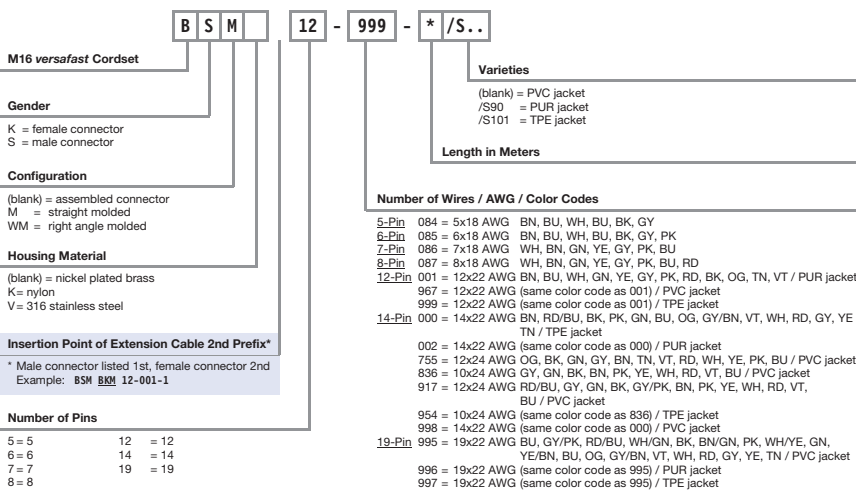
1/2" microfast® Cordset Part Number Key



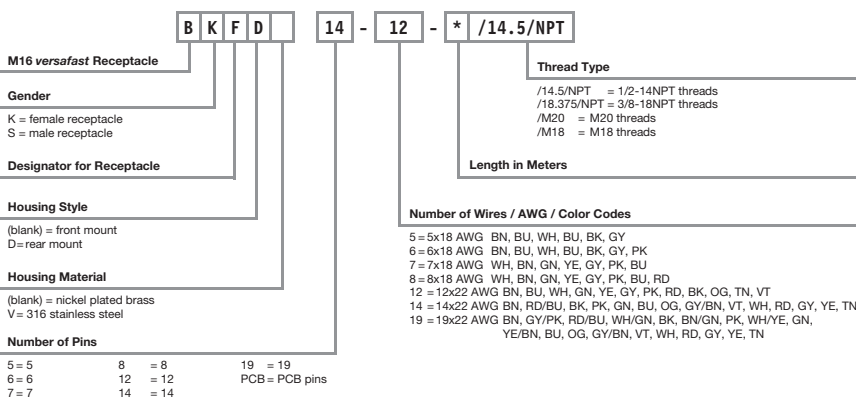
1/2" microfast® Receptacle Part Number Key



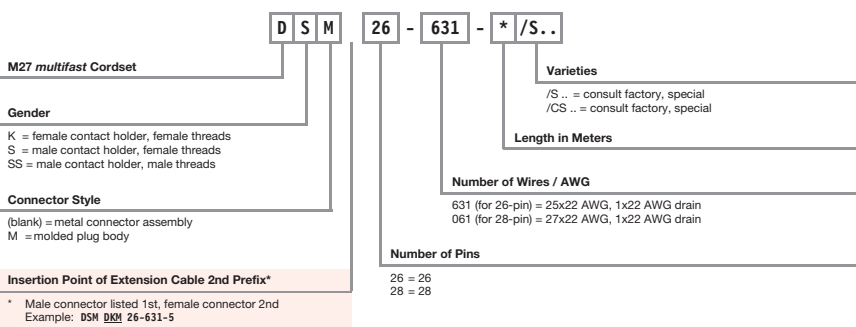
M16 versafast® Cordset Part Number Key



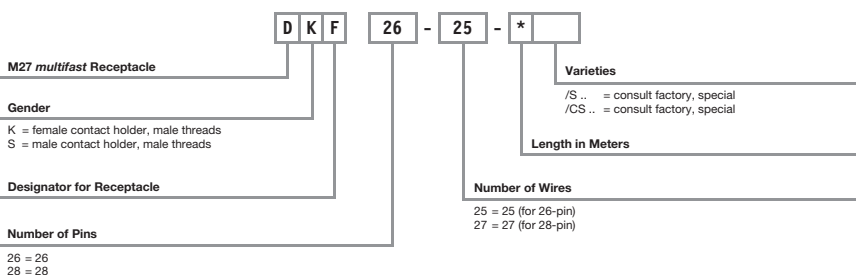
M16 versafast® Receptacle Part Number Key



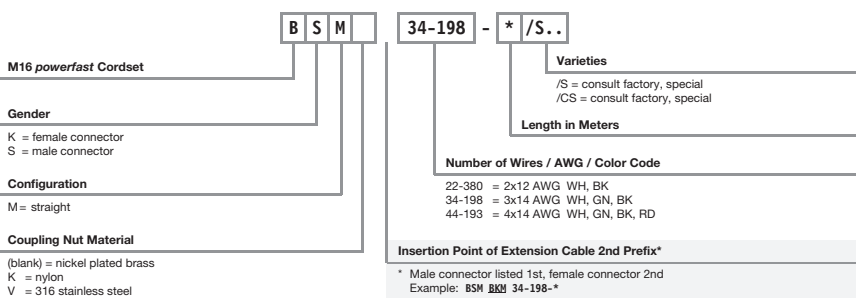
M27 multifast® Cordset Part Number Key



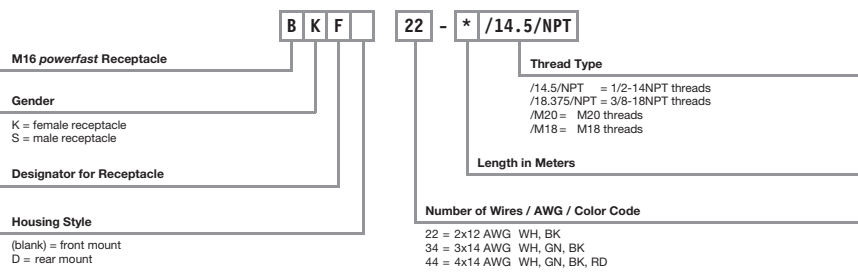
M27 multifast® Receptacle Part Number Key



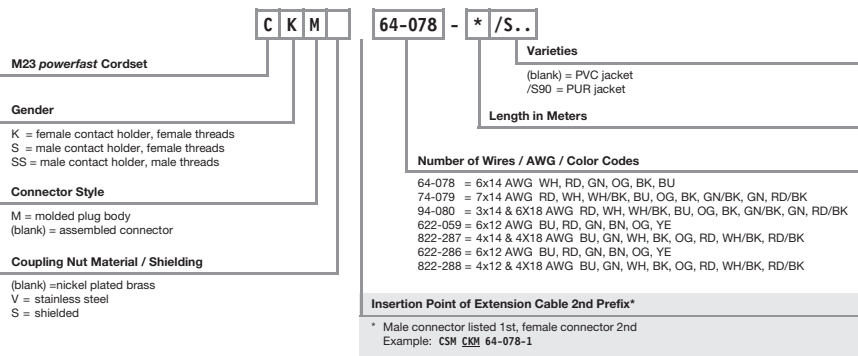
M16 powerfast™ Cordset Part Number Key



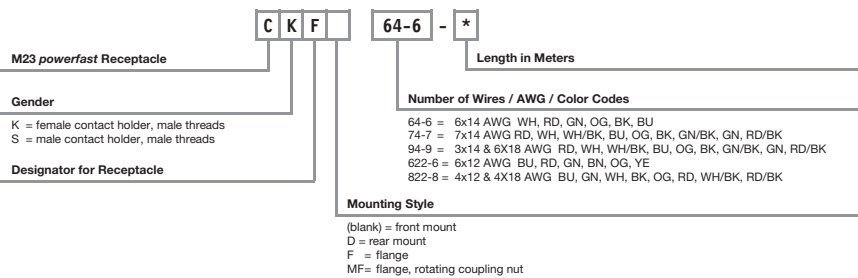
M16 powerfast™ Receptacle Part Number Key



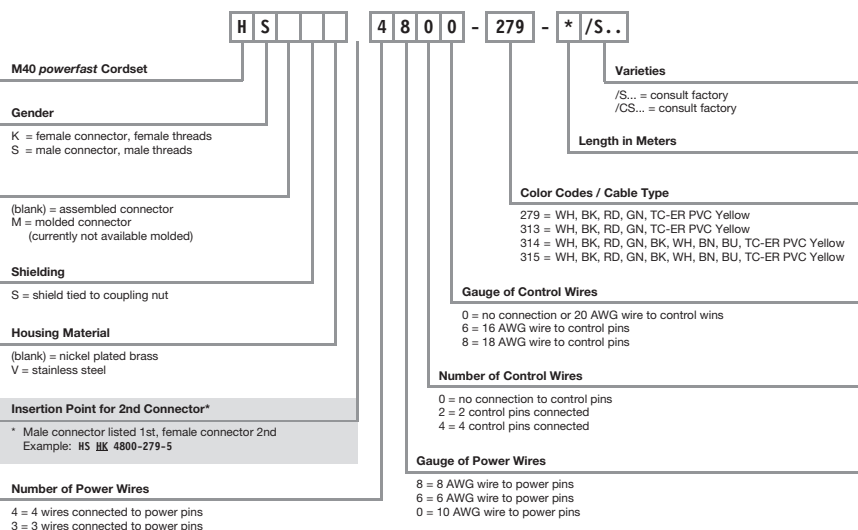
M23 powerfast™ Cordset Part Number Key



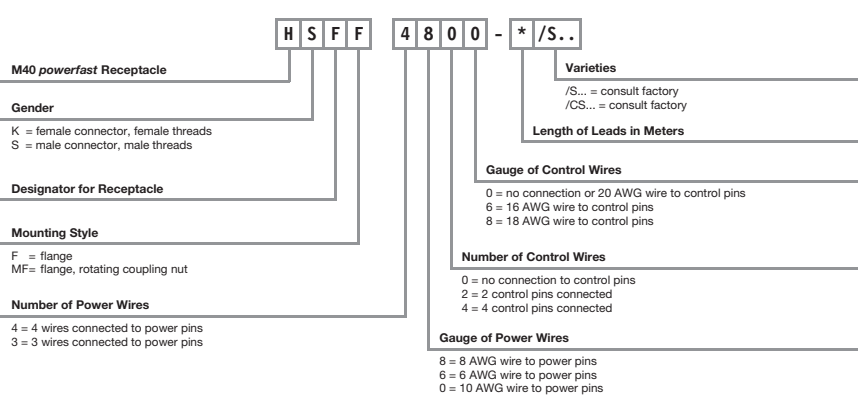
M23 powerfast™ Receptacle Part Number Key



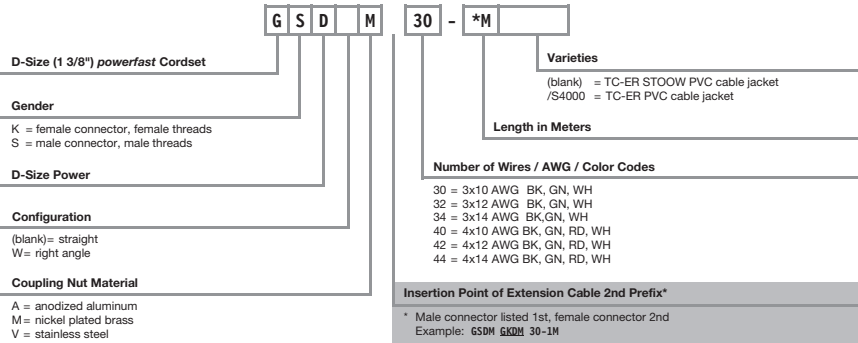
M40 powerfast™ Cordset Part Number Key



M40 powerfast™ Receptacle Part Number Key



D-Size powerfast™ Cordset Part Number Key



D-Size powerfast™ Receptacle Part Number Key

