



Hardware Kit

Safe Robotics Area Protection

SAFETY SYSTEMS

SICK
Sensor Intelligence.



Ordering information

sBot Speed CIP

Safety controller included	Safety laser scanner included	Protective field range	Product type	Type	Part no.
Flexi Soft	microScan3 Core – EFI-pro	5.5 m	Hardware	Hardware Kit	1105347

Included in delivery: FX3-CPU000000 (1), FX3-XTIO84002 (1), FX3-GEPRO0000 (1), FX3-MPL000001 (1), MICS3-ABAZ55ZA1P01 (1)

Hardware kit (part number: 1105347) and software (part number: 1614143 for FANUC or part number: 1614144 for KUKA) have to be ordered for the sBot Speed CIP.

For the accessories required for commissioning as well as additional required components, see Chapter 14 of the sBot Speed CIP – FA Operating Instructions for FANUC, or the sBot Speed CIP – KU Operating Instructions for KUKA.

Other models and accessories → www.sick.com/Safe_Robotics_Area_Protection

Detailed technical data

Features

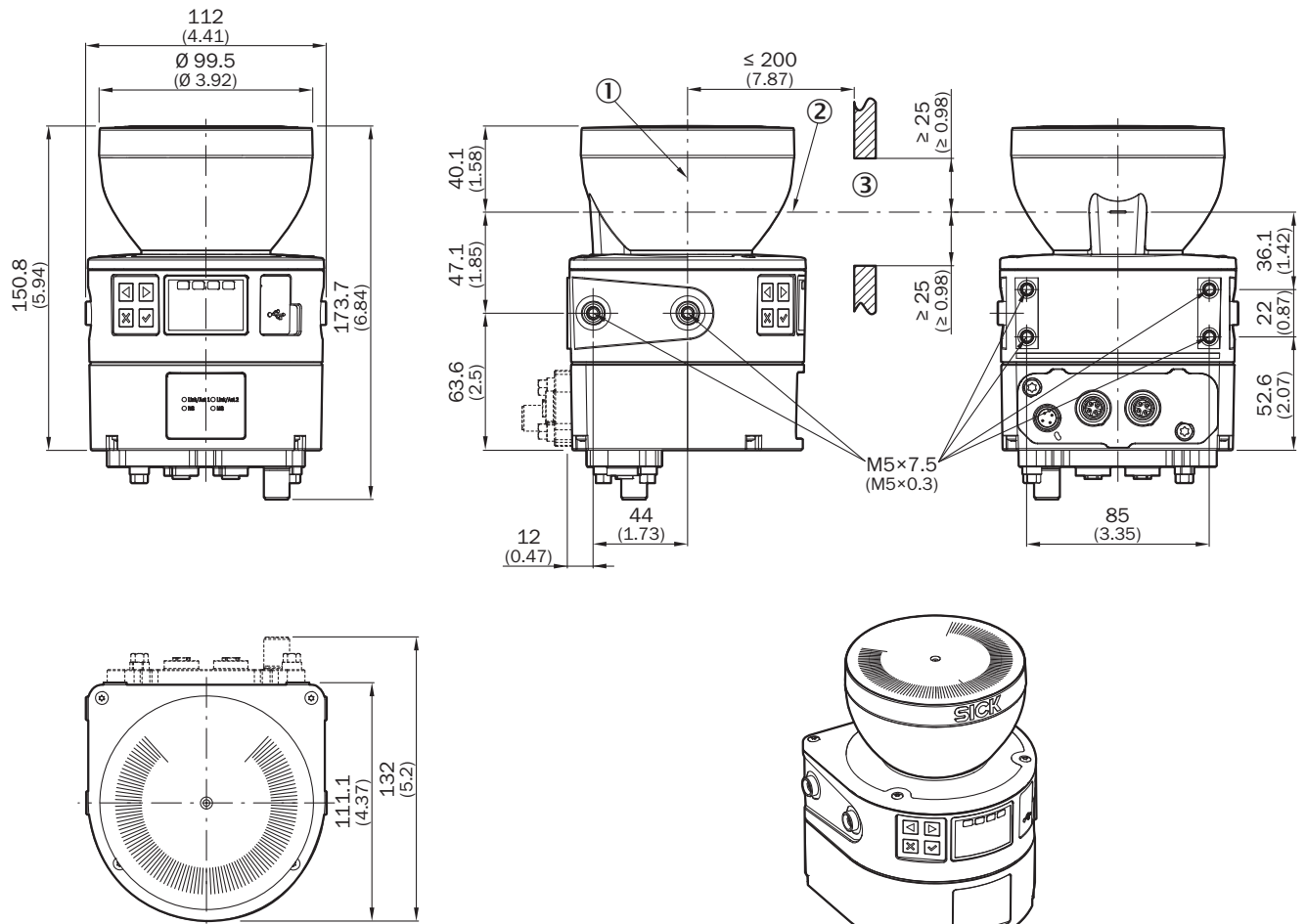
Variant	sBot Speed CIP
Product type	Hardware
Robot controller	FANUC: R-30iB Plus, KUKA: KR C4
Stopping process of the robot	With speed reduction
Robot restart	Automatic
Interfaces	
Communication interface	EtherNet/IP™ CIP Safety™
Safe state in the event of a fault	The safety outputs via the network are logic 0.
Safety laser scanner	microScan3 Core – EFI-pro
Protective field range	5.5 m
Safety task	Hazardous area protection
Ambient operating temperature	–10 °C ... +50 °C
Storage temperature	–25 °C ... +70 °C
Air humidity	90% at 50 °C (EN 61131-2)
Safety controller included	Flexi Soft
Safety controller type	Programmable
Supply voltage V_S	24 V DC (16.8 V DC ... 30 V DC)
Performance level	PL d (ISO 13849-1)
Items supplied	microScan3 Core safety laser scanner EFI-Pro Flexi Soft main module FX3-CPU0 FX3-MPLO Flexi Soft system plug FX3-XTIO Flexi Soft I/O module Flexi-Soft-Gateway EFI-Pro FX3-GEPRO Documentation (operating instructions)

Classifications

ECl@ss 5.0	27279090
-------------------	----------

ECl@ss 5.1.4	27279090
ECl@ss 6.0	27279090
ECl@ss 6.2	27279090
ECl@ss 7.0	27279090
ECl@ss 8.0	27279090
ECl@ss 8.1	27279090
ECl@ss 9.0	27279090
ECl@ss 10.0	27279090
ECl@ss 11.0	27279090
ETIM 5.0	EC001449
ETIM 6.0	EC001449
ETIM 7.0	EC001449
ETIM 8.0	EC001449
UNSPSC 16.0901	32151705

Dimensional drawing (Dimensions in mm (inch))



- ① Mirror axis of rotation
- ② Scan plane
- ③ Required viewing slit

SICK AT A GLANCE

SICK is one of the leading manufacturers of intelligent sensors and sensor solutions for industrial applications. A unique range of products and services creates the perfect basis for controlling processes securely and efficiently, protecting individuals from accidents and preventing damage to the environment.

We have extensive experience in a wide range of industries and understand their processes and requirements. With intelligent sensors, we can deliver exactly what our customers need. In application centers in Europe, Asia and North America, system solutions are tested and optimized in accordance with customer specifications. All this makes us a reliable supplier and development partner.

Comprehensive services complete our offering: SICK LifeTime Services provide support throughout the machine life cycle and ensure safety and productivity.

For us, that is “Sensor Intelligence.”

WORLDWIDE PRESENCE:

Contacts and other locations –www.sick.com